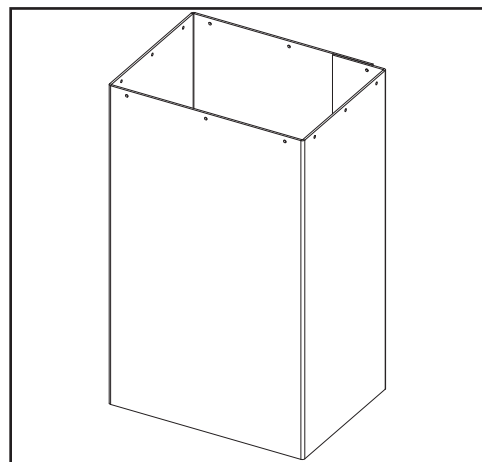
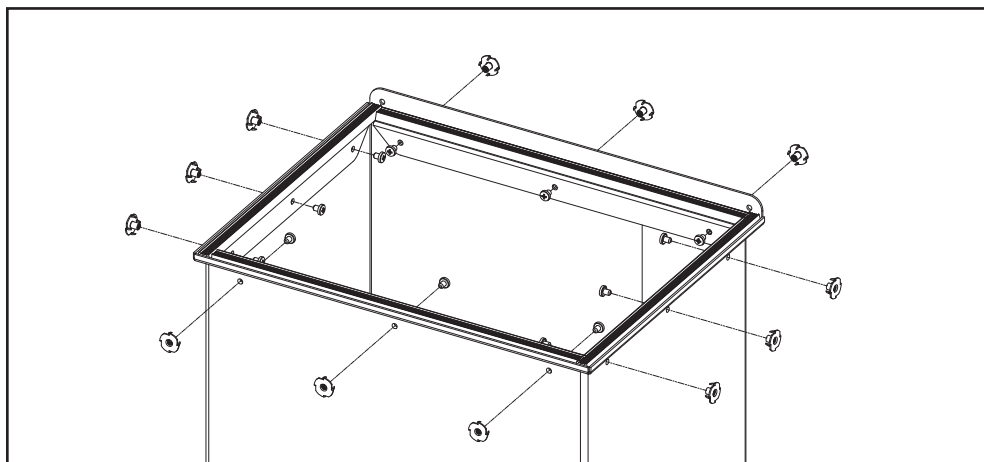


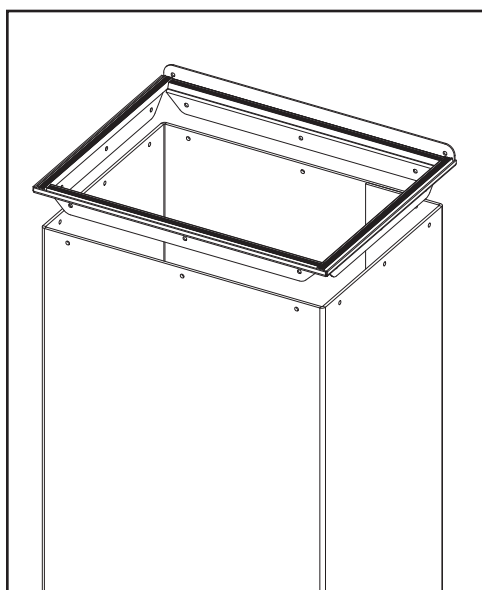
Follow the instructions below to replace the Corrugated Insert on your SPS-10.

TOOLS YOU'LL NEED: Phillips head screwdriver

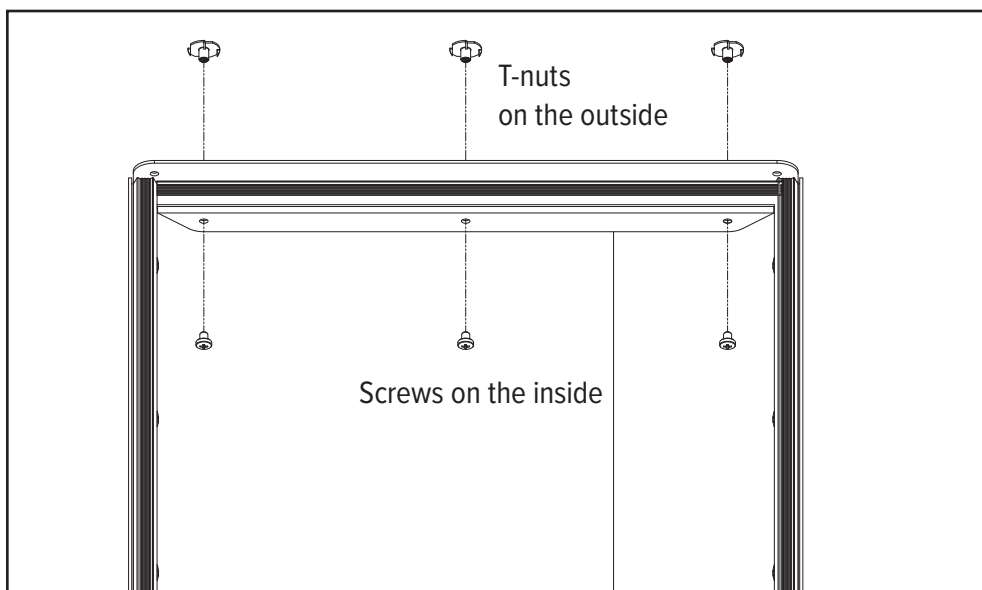


1. On the inside of the frame, remove the screws and t-nuts from the metal frame using the Phillips head screwdriver. Then, remove the old corrugated insert from the frame.

2. Stand up the new corrugated insert with the mounting holes on top.



4. Insert the frame into the corrugated insert making sure the holes line up with the holes in the frame.



5. Insert the t-nuts into the mounting holes on the outside of the corrugated insert. Then, screw them in from inside of the frame.

6. Tighten all screws. Be careful not to overtighten as it may damage the corrugated insert.

That's it! Your new Corrugated Insert is complete!