

## Assemble & Installing the Handles

### Parts included:

01-02-2124 Side Handle with Grip .....	Qty 1
01-02-2122 Handle Tube with Grip and Hardware .....	Qty 1
01-01-1034 5/16-18 x 1.75 Carriage bolt.....	Qty 3
07-01-151 5/16-18 Nylon lock nut.....	Qty 3

### Tools you'll need:

1/2" Wrench, Phillips Screwdriver and Scissors

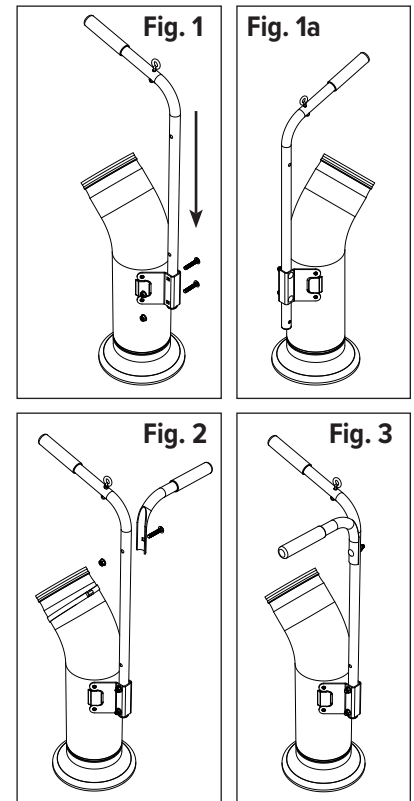
1. Cut the nylon cable tie that is holding the two parts of the handle.
2. Slide the long handle tube into the mounting bracket attached to the wand inlet, making sure the handle grip lines up over the bent portion of the wand inlet. Line up the 2 holes nearest the end of the long handle tube with the square holes in the mounting bracket. Secure with the two included carriage bolts and nylon lock nuts. Tighten with the 1/2" wrench. **Figure 1.**

**NOTE:** If you are under 5'6" tall, you may find it more comfortable to shorten up the wand by mounting the long handle tube through the second and third holes. **Figure 1a.**

3. Attach the side handle tube to the hole beneath the bend in the long handle tube, using the last carriage bolt and nut.

**Right handed users**, the side handle tube should look like **figure 3.**

**Left handed users** can mount the side handle to the other side as shown in **figure 4.** Tighten with 1/2" wrench.



## Installing the Wand Bracket (If Needed)

If you can't install the new handle bars into your existing PVP Wand Mounting Bracket, it may need to be replaced. Follow these steps to replace it. See **figure 4.**

### Parts included:

01-01-2121 PVP Wand Mounting Bracket.....	Qty 1
01-01-169 T-Nut.....	Qty 4
01-01-168 #10-24 x 0.375 Round-head bolt .....	Qty 4

1. Remove the 4 round head bolts and t-nuts that hold the PVP Wand Mounting Bracket to the wand then remove the bracket.
2. Position new PVP Wand Mounting Bracket on the wand so the center aligns with the raised area on the sides of the wand.
3. Install a t-nut on the inside of the wand and secure it with one of the round head bolts. Repeat for the other 3 t-nuts and bolts.
4. That's it! Your PVP Wand Mounting Bracket is now installed.

