

The Roof Rack Carrier makes transporting hoses and tools really easy. You can attach and remove it in seconds, without any tools.

### Assembly

Using the diagram on the right, assemble the two struts of your Roof Rack Carrier. Note that the two struts are different lengths. The longer strut mounts on the rear of your Cyclone Rake. The shorter strut mounts on the front. Note that the struts are marked "Front" and "Rear".

### Attaching to your Cyclone Rake®

Follow the instruction labels on the struts to attach them to your Cyclone Rake.

### Directions for Use

- Mount hoses as shown in Figure 1. Roughly balance the weight, front and rear, so the hoses won't jog loose when driving.
- For added security, attach the shock cords as shown in Figure 2 and 3.
- Don't carry heavy stuff like fire wood, tree branches, heavy lumber or pipe.

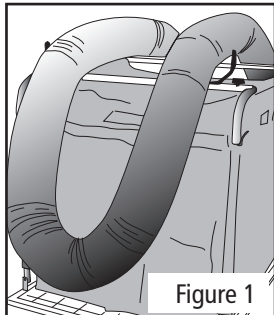
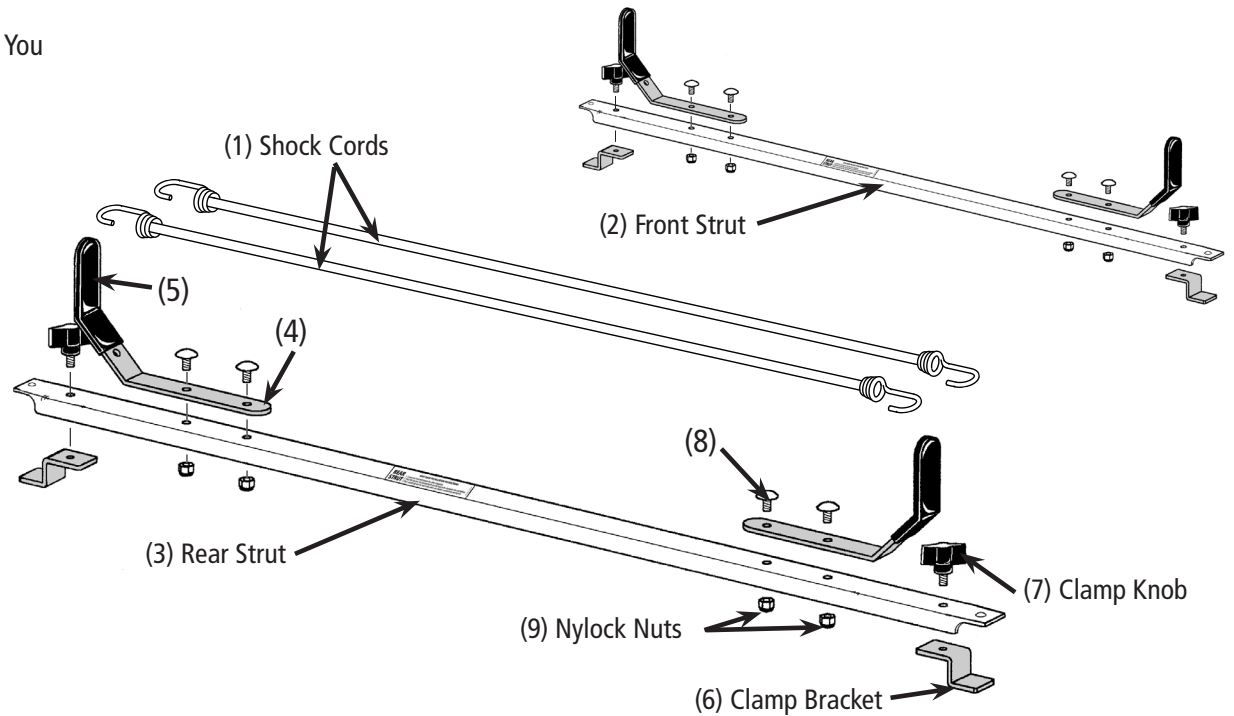


Figure 1

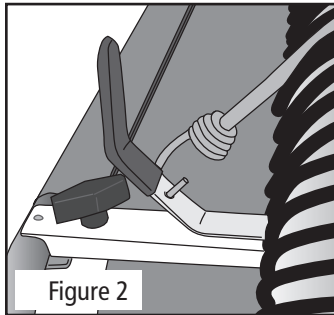


Figure 2

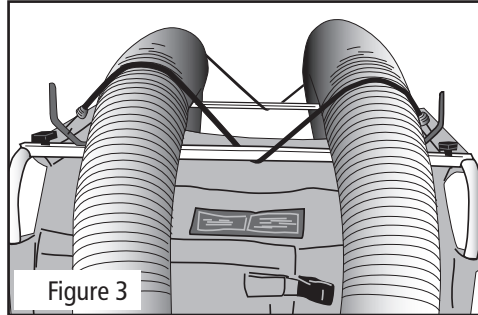


Figure 3

			Commander	Commercial PRO, XL & Z-10
	NAME	QTY	PART NO.	PART NO.
1	Shock cord, 30 inch	2	01-01-396	01-01-396
2	Front strut	1	01-01-1006	02-01-023
3	Rear strut	1	01-01-1005	02-01-024
4	Hose hanger bracket	4	02-01-015	01-01-015
5	Vinyl grip	4	02-01-583	02-01-583
6	Clamp bracket	4	01-01-514	01-01-514
7	Clamp knob	4	01-01-239	01-01-239
8	1/4-20 x 1/2 in. screw	8	01-01-310	01-01-310
9	1/4-20 Nylock nut	8	01-01-157	01-01-157