

Assembly and Installation

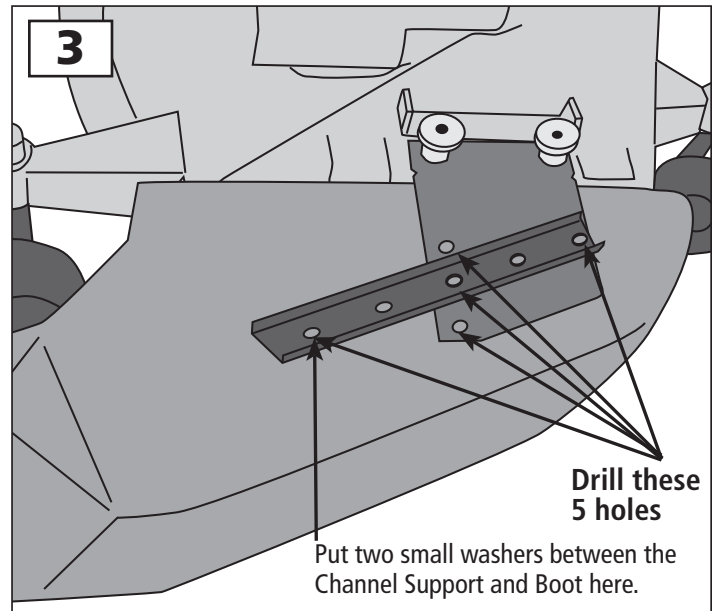
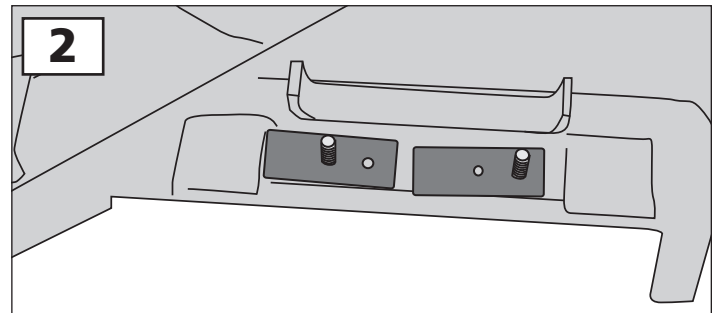
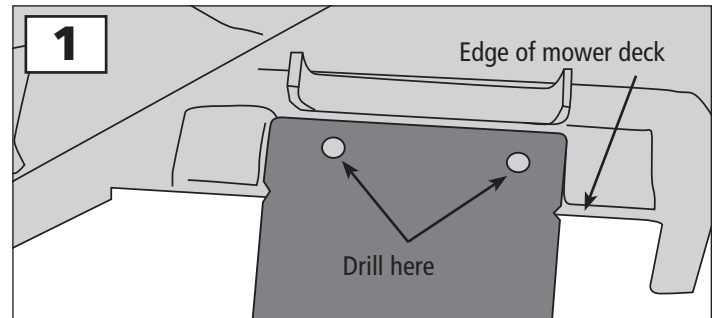
This Mower Deck Adapter (MDA) is designed to work with several mower deck designs. The MDA does not need an airtight fit to deliver exceptional vacuum performance. It simply needs to be installed in front of the opening on the mower deck. Follow the instructions below to install.

1. Remove the safety cover from the mower deck. Position the K-Boot Plate at the edge of your mower deck and drill two 5/16 holes using the Boot Plate as a template. The notches in the Boot Plate should be aligned with the edge of the mower deck.
2. Insert the two 5/16 x 1.5-inch bolts up from the bottom of the mower deck and screw them into the threaded holes in the Support Blocks. Use either hole in the Support Block as needed to fit your mower deck. Tighten firmly with a wrench. You will now have two threaded studs protruding from your mower deck.
3. Place the K-Boot Plate over the threaded studs and secure with the Boot Plate Clamp Knobs. Hold the boot up against the mower deck and Boot Plate. Place the Channel Support as shown. Mark and drill five 5/16 holes using the Boot Plate and Channel Support as a template, Fig 3.
4. Attach the Boot Plate and Channel Support to the Boot using the five 1-inch bolts. The bolts should come up from the bottom. Be sure to use the large fender washers inside the boot to provide additional support.
5. Install the assembled MDA on the mower deck. Trace around the deck opening with a marker pen. Remove the MDA. Drill a starter hole inside the marked area and use an electric jig saw or keyhole saw to cut the boot to the shape of your deck opening.
6. Place the MDA assembly back onto the deck studs, then place one rubber washer on each stud. Now, spin on the Clamp Knobs and tighten all the bolts.
7. Attach the hose collar onto the MDA with the latches provided. Cut the hose to length as described in your owner's manual.

That's it you're finished!

Parts List is on reverse

Safety Note:
If you remove the Mower Deck Adapter later, you MUST re-install the grass deflector.



COMPONENT LIST

MDA-K

PART NO.	NAME	QTY
01-02-1145	Kubota Boot w/strikes	1
05-02-1145	Kubota Boot w/strikes - XL	1
06-02-1145	Kubota Boot w/strikes - Z-10	1
01-01-150	5/16-18 x 1.5 Bolt	2
01-01-151	5/16-16 Nylon lock nut	5
01-01-152	5/16 Washer	5
01-01-171	5/16-18 x 1 Bolt	5
01-01-175	5/16 Fender washer	4
01-01-291	Clamp Knob, Boot Plate	2
01-01-385	Warning Label	1
01-01-441	Support Block	2
01-01-452	K-Boot Plate	1
01-01-453	Channel Support	1
01-01-1990	Rubber washer	2
01-02-125	Support block, 1.5 bolt & washer	2
01-02-564	Standard strike w/hardware	3
01-02-142	8" x 8" Collar complete - green	1
01-02-486	7" x 8" Collar complete	1
05-02-080	8" x 8" Collar complete - yellow	1
06-02-080	10" x 10" Collar complete	1
08-02-080	8" x 6" Collar complete	1

