

Installation Instructions

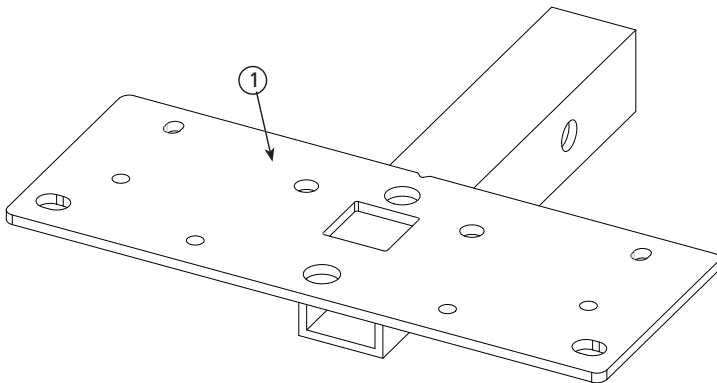
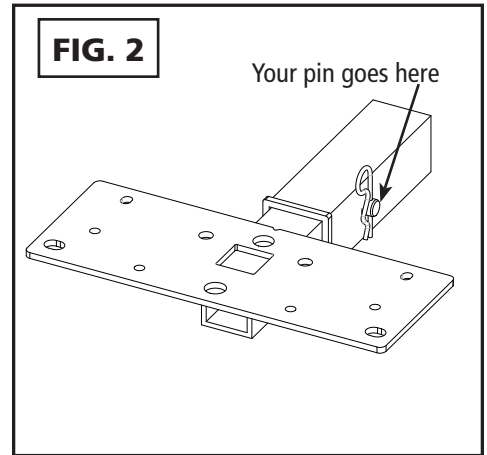
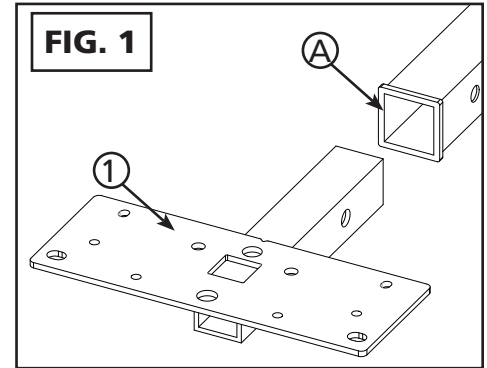
The Cyclone Rake 208R Special Hitch is designed to fit the Class 3 receiver hitch. To install the hitch, follow the instructions below.

1. Place the mower on a flat level surface, such as a concrete floor.
2. Slide the 208R Special Hitch (1) into the receiver (A) on the back of your mower (Fig. 1).
3. Secure the hitch in place with your existing 5/8 Hitch pin.

That's it. Your 208R Special Hitch installation is complete. **To finish the assembly of your Cyclone Rake, please return to your Owner's Manual now.**

Note: Check the hitch connection before each use to make sure everything is tight.

User Tip: A small amount of grease on the Cyclone Rake hitch pins will help minimize hitch bar wear over time.



208R Special Hitch COMPONENT LIST

KEY #	PART #	NAME	QTY
1	01-02-575	208R Special Hitch	1