

Installation Instructions

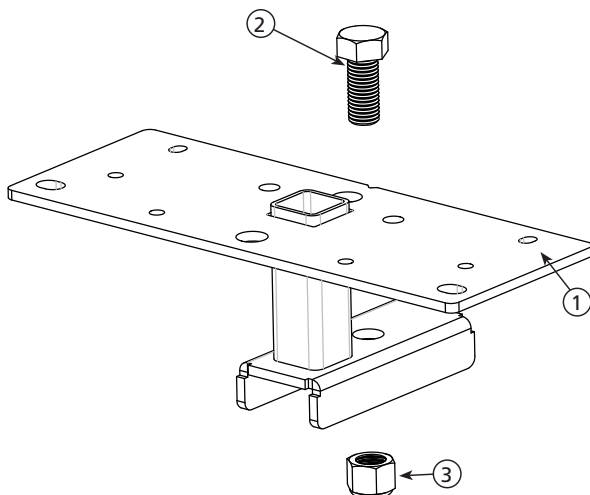
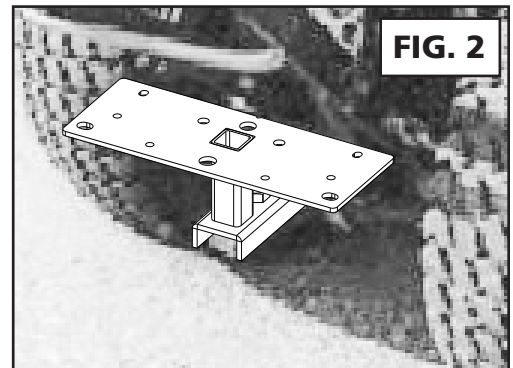
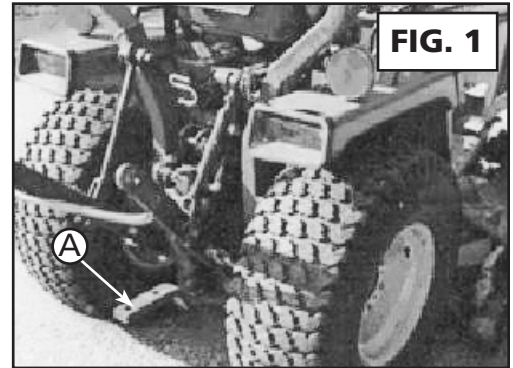
The Cyclone Rake 208K Special Hitch is designed to fit multiple mower types. To install the hitch, follow the instructions below.

1. Place the mower on a flat level surface, such as a concrete floor.
2. The 208K Special Hitch attaches to the mower's hitch tang (A), (Fig. 1).
3. Position the U-shaped channel of the 208K Special Hitch (1) over the hitch tang on the rear of your mower, with the bolt hole facing away from you, (Fig 2).
4. Secure the hitch in place with the 3/4 x 1.75-inch hex bolt (2), and nylon lock nut (3) provided.
5. Tighten the hitch bolt.

That's it. Your 208K Special Hitch installation is complete. **To finish the assembly of your Cyclone Rake, please return to your Owner's Manual now.**

Note: Check the hitch bolt before each use to make sure everything is tight.

User Tip: A small amount of grease on the Cyclone Rake hitch pins will help minimize hitch bar wear over time.



208K Special Hitch COMPONENT LIST

KEY #	PART #	NAME	QTY
1	01-02-573	208K Special Hitch	1
2	01-01-1828	3/4-10 x 1.75 Hex bolt	1
3	01-01-1829	3/4-10 Nylon lock nut	1