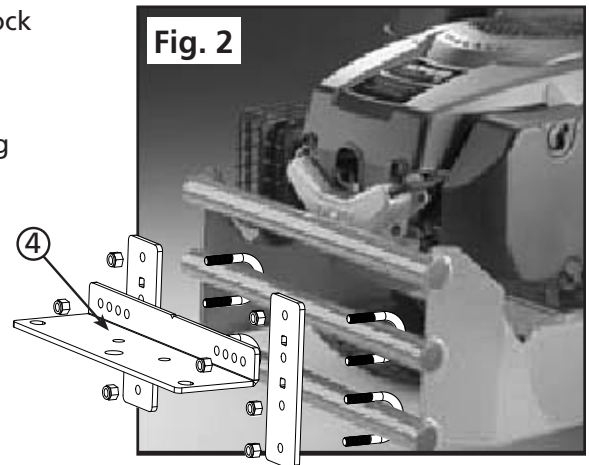
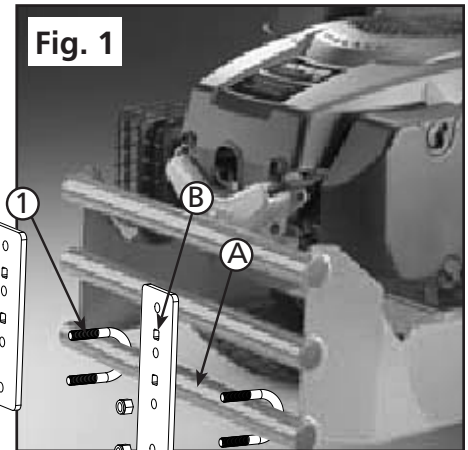


Installation Instructions

The Cyclone Rake 208H Special Hitch multiple mower types. Some Mowers have 3 rear support bars and some have 4 bars. To install the hitch, follow the instructions below.

1. Place the mower on a flat level surface, such as a concrete floor.
2. The 90° Hitch Bar should be installed between 10 and 14 inches from the ground. Mount the hitch plates to a pair of support bars that best meet this recommendation.
3. Position one U-bolt (1) on the lower mower support bar (A). Place the U-bolt approximately 6 inches from the center of the mower with the threaded ends facing out (Fig. 1).
4. Place one 208H Hitch Plate (3) over both ends of the U-bolt and loosely install both 3/8 lock nuts (2) to hold it in place. The square holes (B) should be toward the top.
5. Position the second U-bolt an on the same support bar approximately 6-inches from the center in the opposite direction. Place the second 208H Hitch Plate over the U-bolt. Loosely install both 3/8 lock nuts to hold it in place.
6. Place the third U-bolt around the next higher support bar on your mower and through the upper holes of the hitch plate. Depending on your mower type, you will use either the two round, or two square holes in the hitch plate for this connection. Loosely install one lock nut on the **upper post** of the U-bolt to hold it in place. Repeat on the other side.
7. Place the Cyclone Rake 90° Hitch Bar (4) over the lower posts of the U-bolts and secure with 3/8 lock nuts. Note the location of the hitch bar in Fig. 2.
8. Tighten all hitch bar bolts.



That's it. Your hitch bar installation is complete. **To finish the assembly of your Cyclone Rake, please return to your Owner's Manual now.**

Note: Check the bolts before each use to make sure everything is tight.

User Tip: A small amount of grease on the Cyclone Rake hitch pins will help minimize hitch bar wear over time.

208H Special Hitch COMPONENT LIST

KEY #	PART #	NAME	QTY
1	01-01-1721	U-Bolt,	4
2	01-01-240	3/8 Lock nut	8
3	01-01-1198	208H Hitch Plate	2
4	01-01-870	90° Hitch Bar	1

