

### Installation Instructions

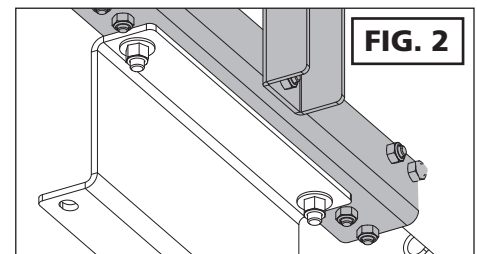
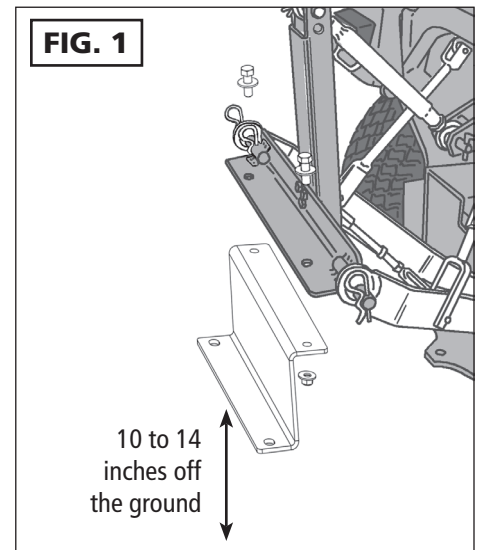
First assemble and install the 3-Point Hitch. You will find instruction sheet (208-T) enclosed with the Hitch. Then, follow the instructions below to install the Extension Plate to the 3-Point hitch.

1. Attach the Extension Plate to the 3-Point Hitch draw bar using the 1/2-13 x 1.5 hex bolts, 1/2-13 nylon lock nuts, and 1/2" washers. (Fig 1)
2. One flat washer is placed under the hex bolt and the other is used on the underside with the nut. (Fig 2).
3. The bottom of the Extension Plate can be anywhere between 10 and 14 inches from the ground.

That's it. Your 208-013 Special Hitch installation is complete. *To finish the assembly of your Cyclone Rake, please return to your Cyclone Rake Owner's Manual now.*

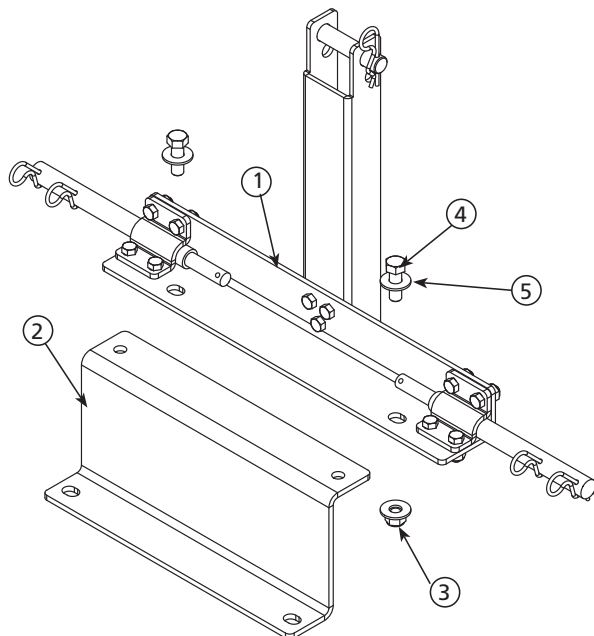
**Note:** Be sure to check all the hitch bolts before each use to make sure everything is tight.

**User Tip:** A small amount of grease on the Cyclone Rake hitch pins will help minimize hitch bar wear over time.



### WARNING

Do not attempt to lift your Cyclone Rake off the ground using your 3-point Special Hitch. Damage to the Cyclone Rake and to your hitch will result. This equipment is not designed to be lifted. Damage from lifting is not covered by your warranty.



### 208-013 Special Hitch: 3-Point Hitch w/Extender

#### COMPONENT LIST

KEY#	PART#	NAME	QTY
1	208T	3-Point Hitch Assembly	1
2	01-01-1847	3-Point Hitch Extension Plate	1
3	01-01-823	1/2-13 Nylon lock nut	2
4	01-01-963	1/2x1.5 Hex bolt	2
5		1/2 Flat washer	4