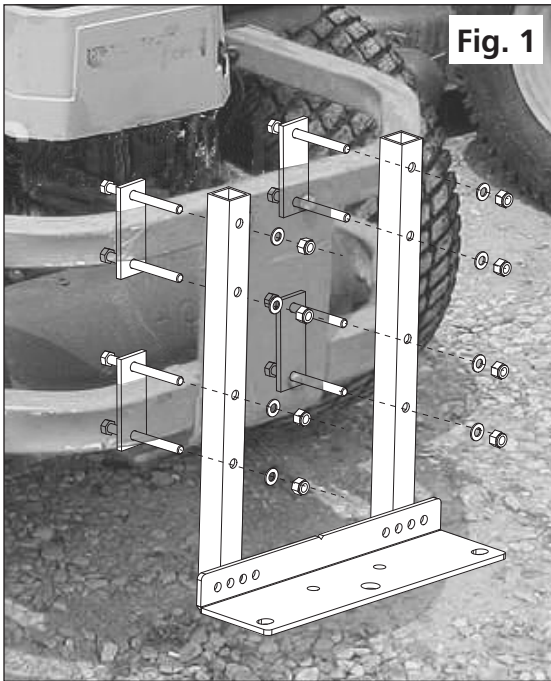


### Installation Instructions

The Cyclone Rake 208-012 Special Hitch is designed to fit multiple mower types. To install the hitch, follow the instructions below.

**NOTE:** It may be helpful to have someone assist you with the installation or use something to support the assembly while installing the hardware.



**Fig. 1**

1. Place the mower on a flat level surface, such as a concrete floor.
2. Position the BH-Weldment assembly up against the rear of the mower.
3. Place a 3/8-16 x 4 hex bolt through one backer plate and position it at the rear of the tractor, behind the tractor's hitch tubing. Place the BH-Weldment over the bolt and loosely fasten with one 3/8 washer and 3/8-16 lock nut. Repeat this with the remaining 3 backer plates, keeping the BH-Weldment centered on the tractor, Fig. 1.
4. Tighten all bolts evenly.

That's it. Your hitch bar installation is complete.

**To finish the assembly of your Cyclone Rake, please return to your Owner's Manual now.**

**Note:** Check the bolts before each use to make sure everything is tight.

**User Tip:** A small amount of grease on the Cyclone Rake hitch pins will help minimize hitch bar wear over time.

### 208-012 Special Hitch COMPONENT LIST

KEY #	PART #	NAME	QTY
1	01-02-582	BH-Weldment	1
2		3/8-16 x 4 Hex bolt	8
3	01-01-180	3/8 Washer	8
4	01-01-240	3/8-16 Lock nut	8
5	01-01-1846	Backer plate	4

