

### Installation Instructions

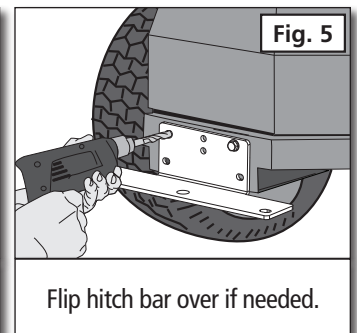
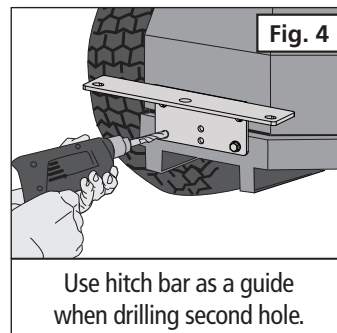
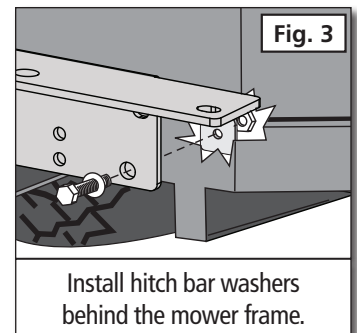
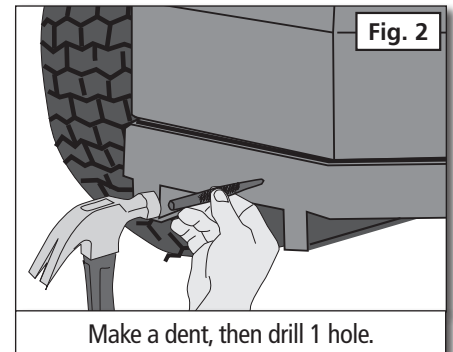
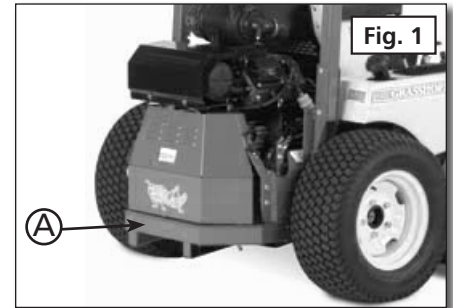
The Cyclone Rake 208-011 Special Hitch is designed to fit multiple mower types. To install the hitch, follow the instructions below.

1. Place the mower on a flat, level surface, such as a concrete floor.
2. (Fig. 1) The 208-011 Special Hitch should be installed horizontally, and attached to the mower's rear lower frame (A). The ideal height of the hitch bar is approximately 12 inches from the ground.

**Note:** The hitch bar can be installed anywhere from 10 to 14 inches from the ground. In some cases it may be necessary to install the hitch bar upside down to achieve the appropriate height (Fig. 4 or Fig. 5).

3. Position the Special Hitch against the center of the square tube. Check behind the frame to be sure there are no obstacles.
4. (Fig. 2) Drill one hole first. Use a center punch and hammer to make a sharp dent at the location of the first hole. This keeps the drill from "walking". Drill through first with a 1/4" drill bit. Then follow with a 3/8" drill bit. Use firm pressure and low speed. A little oil on the drill bit also helps.
5. (Fig. 3) Install one 3/8" bolt with the 3/8" washer, hitch bar washer and lock nut provided. Install the bolt with the bolt head facing out. The hitch bar washer is installed behind the mower frame. Secure with the nylon lock nut provided and tighten moderately.
6. (Fig. 4) With the first bolt installed, hold the hitch bar level and drill the second hole, by placing the 3/8" drill bit directly through the hitch bar while drilling. Using the hitch bar as a guide this way will ensure your two holes will line up correctly.
7. Install the second 3/8" bolt, 3/8" washer, hitch bar washer and nylon lock nut. Tighten both bolts firmly.

*That's it. Your hitch bar assembly is complete.*



### 208-011 Special Hitch COMPONENT LIST

KEY #	PART #	NAME	QTY
1	01-01-1438	208-011 Special Hitch	1
2	01-01-1724	3/8-16 x 3 Hex bolt	2
3	01-01-1434	Hitch bar washer	2
4	01-01-240	3/8-16 Lock nut	2
5	01-01-180	3/8 Washer	2

