

## Installation Instructions

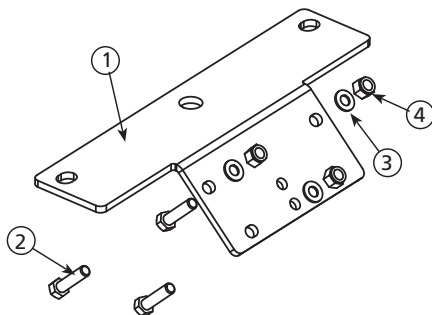
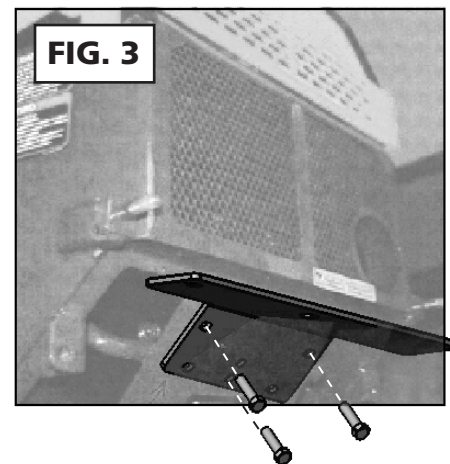
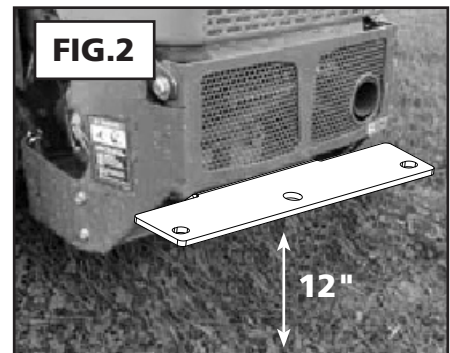
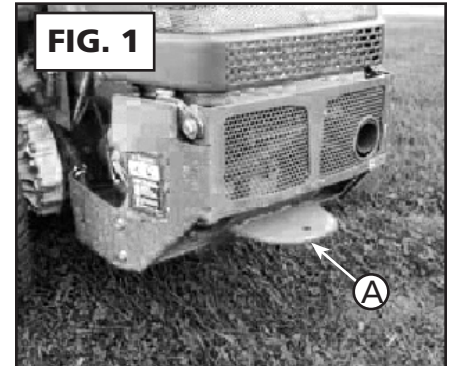
The Cyclone Rake 208-006 Special Hitch is designed to fit multiple mower types. You will need to drill three holes to mount the hitch. To install the hitch, follow the instructions below.

1. Place the mower on a flat level surface such as a concrete floor.
2. The 208-006 Special hitch is attached to the underside of the rear mower frame.
3. If your mower has a hitch tang (A) as shown in Figure 1, remove it.
4. Position the 208-006 Hitch centered against the underside of the rear mower frame with the horizontal surface at a height of 12 inches from the ground as shown in Figure 2. Check behind the frame to be sure there are no obstacles. If there is an obstruction, you can position the hitch between 10-14 inches from the ground to clear it.
5. Mark the position of one of the holes using a center punch. See Figure 3. Drill the first hole using a 1/4 inch bit; then follow up with a 3/8 drill bit. Install the first 3/8 x 1.5 inch bolt (2) using the washer (3) and lock nut (4) to hold the hitch in place.
6. Drill the other two 3/8 holes, using the hitch as a guide.
7. Install the two remaining 3/8 x 1.5 bolts, washers and lock nuts.
8. Tighten all bolts. Your installation should look like Figure 2.

That's it. Your 208-006 Special Hitch installation is complete. *To finish the assembly of your Cyclone Rake, please return to your Owner's Manual now.*

**Note:** Check the bolts before each use to make sure everything is tight.

**User Tip:** A small amount of grease on the Cyclone Rake hitch pins will help minimize hitch bar wear over time.



### 208-006 Special Hitch COMPONENT LIST

KEY #	PART #	NAME	QTY
1	01-01-1708	208-006 Special Hitch	1
2	01-01-410	3/8-16 x 1.5 Hex bolt	3
3	01-01-180	3/8 Washer	3
4	01-01-240	3/8-16 Lock nut	3