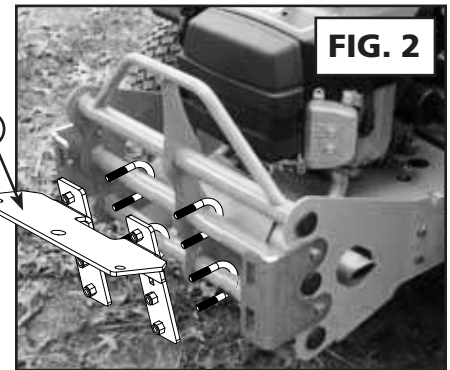
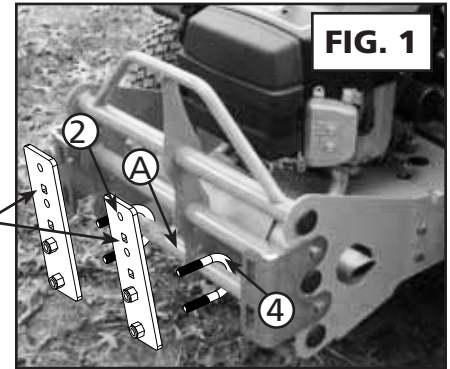


## Installation Instructions

The Cyclone Rake 208-005 Special Hitch is designed to fit multiple mower types. Some mowers have 3 rear support bars and some have 4. To install the hitch, follow the instruction below.

1. Place the mower on a flat level surface, such as a concrete floor.
2. The 208-005 Special Hitch attaches to the mower's rear support bars.
3. Position one U-bolt (4) on the lowest bar of the mower's rear bumper (A). Place the U-bolt approximately 6 inches from the center of the mower with the threaded ends facing out. (Fig. 1)
4. Place a 208-005 Hitch Plate (2) over both ends of the U-bolt and loosely install two 3/8 lock nuts (3) to hold it in place. The square holes (B) should be toward the top.
5. Position the second U-bolt on the same support bar. Place the second hitch plate over both ends of the U-bolt. Loosely install the 3/8 lock nuts to hold it in place.
6. Place the third U-bolt around the next higher support bar on your mower and through either set of upper holes in the hitch plate. Depending on your mower type, you will use either the two round, or two square holes in the hitch plate for this connection. Loosely install one lock nut on the upper post of the U-bolt to hold it in place. Repeat on the other side.
8. Place the 208-005 Hitch Bar (1) over the lower posts of the U-bolts and secure with 3/8 lock nuts.
9. Tighten all bolts.



That's it. Your hitch bar installation is complete.

**To finish the assembly of your Cyclone Rake, please return to your Owner's Manual now.**

**Note:** Check the bolts before each use to make sure everything is tight.

**User Tip:** A small amount of grease on the Cyclone Rake hitch pins will help minimize hitch bar wear over time.

### 208-005 Hitch COMPONENT LIST

KEY #	PART #	NAME	QTY
1	01-01-1707	208-005 Hitch Bar	1
2	01-01-1198	208-005 Hitch Plate	2
3	01-01-240	3/8-16 x 2 Nylon lock nut	8
4	01-01-1721	U-bolt	4

