

Installation Instructions

The Cyclone Rake 208-004 Special Hitch is designed to fit multiple mower types. To install the hitch, follow the instructions below.

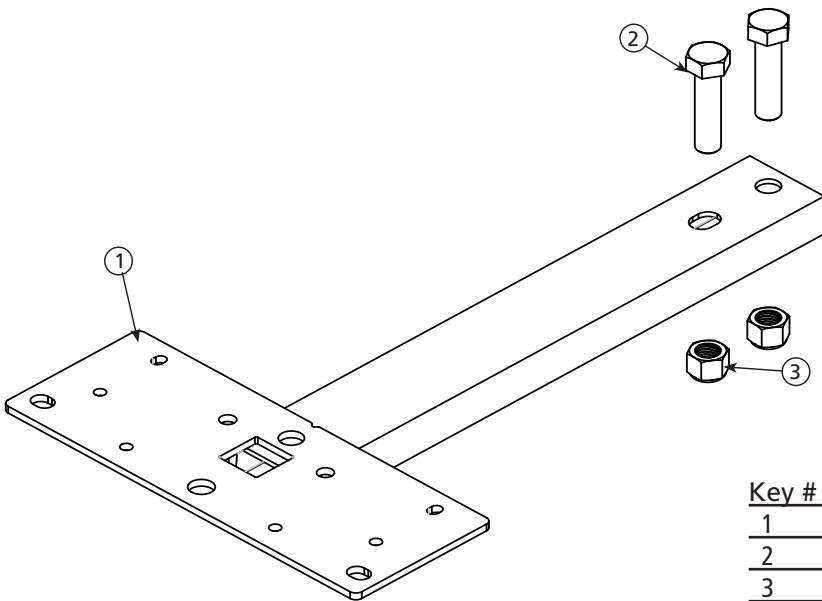
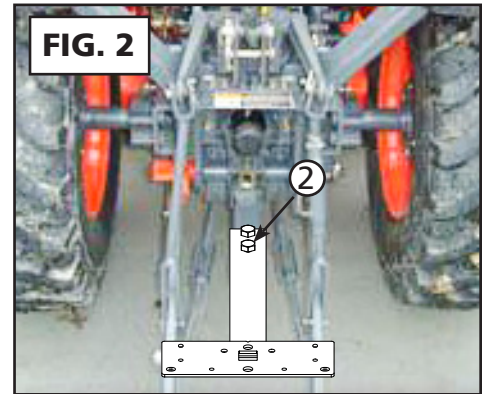
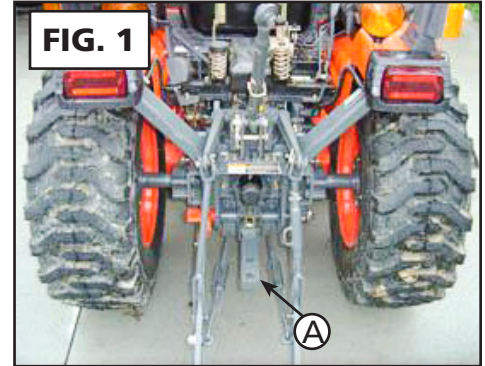
1. Place the mower on a flat level surface, such as a concrete floor.
2. The 208-004 Special Hitch attaches to the mower's rear hitch tang (A), (Fig. 1).
3. Place the 208-004 Special Hitch (1) over the mower's hitch tang (A). The U-shaped channel straddles the tang, locking the hitch in place, (Fig. 2).
4. Secure the Special Hitch to the hitch tang using the 3/4 x 3 inch hex bolts (2) and nylon lock nuts (3) provided, (Fig. 2).
5. Tighten both hitch bolts.

That's it. Your 208-004 Special Hitch installation is complete.

To finish the assembly of your Cyclone Rake, please return to your Owner's Manual now.

Note: Check the hitch bolts before each use to make sure everything is tight.

User Tip: A small amount of grease on the Cyclone Rake hitch pins will help minimize hitch bar wear over time.



208-004 Special Hitch COMPONENT LIST

Key #	PART #	NAME	QTY
1	01-02-579	208-004 Special Hitch	1
2	01-01-1447	3/4-10 x 3 Hex bolt	2
3	01-01-1829	3/4-10 Nylon lock nut	2