

Installation Instructions

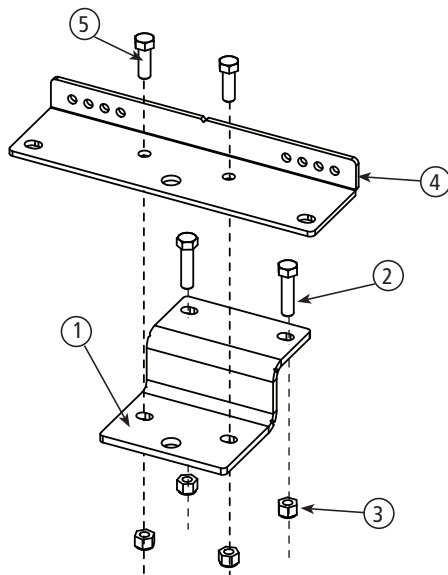
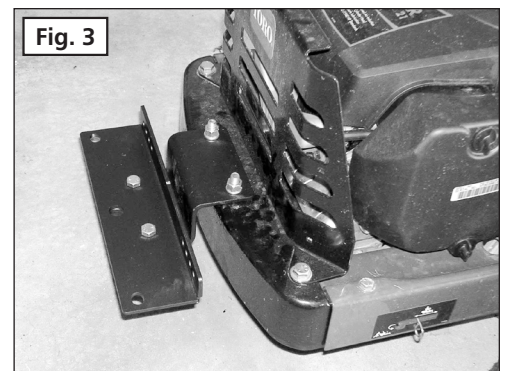
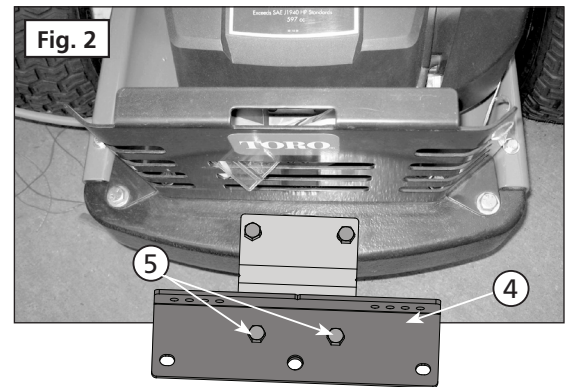
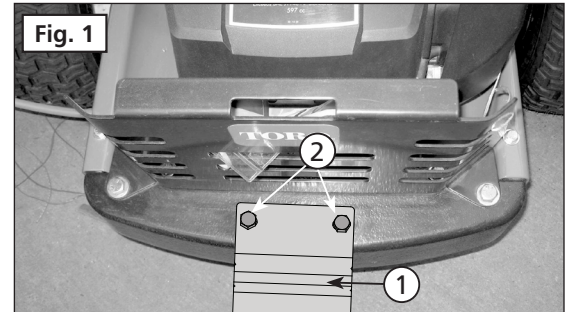
The Cyclone Rake 208-003 Special Hitch is designed to fit multiple mower types. To install the hitch, follow the instructions below. The 208-003 Special Hitch is installed on top of your mower's rear frame.

1. Place the mower on a flat level surface, such as a concrete floor.
2. Attach the 208-003 Hitch Adapter (1) to the rear of your mower using the 1/2 x 2-inch hex bolts (2) and lock nuts (3) provided (Fig 1).
3. Place the Cyclone Rake 90° hitch bar (4) onto the lower section of the hitch adapter. Secure using two 1/2 x 1.5 inch hex bolts (5) and lock nuts (Fig. 2).
4. Tighten all bolts securely.

That's it. Your 208-003 Special Hitch installation is complete (Fig 3).
To finish the assembly of your Cyclone Rake, please return to your Owner's Manual now.

Note: Check the bolts before each use to make sure everything is tight.

User Tip: A small amount of grease on the Cyclone Rake hitch pins will help minimize hitch bar wear over time.



208-003 Special Hitch

COMPONENT LIST

KEY #	PART #	NAME	QTY
1	01-01-1435	208-003 Hitch Adapter	1
2	01-01-1439	1/2-13 x 2 inch Hex bolt	2
3	01-01-823	1/2-13 Lock nut	4
4	01-01-870	90° Hitch bar	1
5	01-01-963	1/2-13 x 1.5 inch Hex bolt	2