

Installation Instructions

The Cyclone Rake 208-001 Special Hitch is designed to fit the Class 2 receiver hitch on the back of your mower. To install the hitch, follow the instructions below.

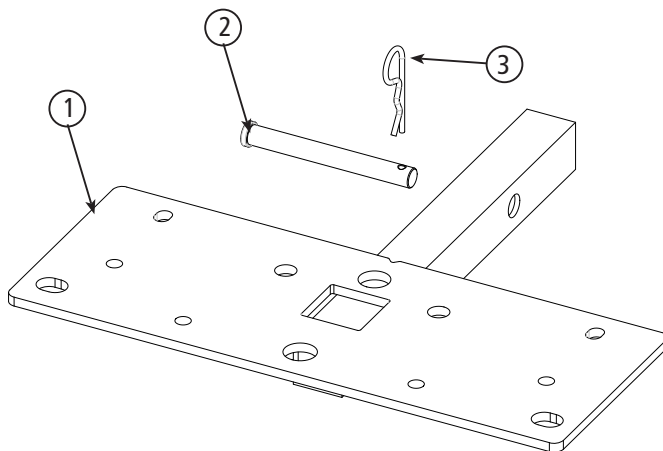
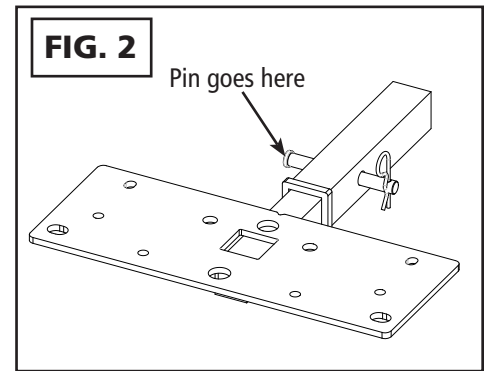
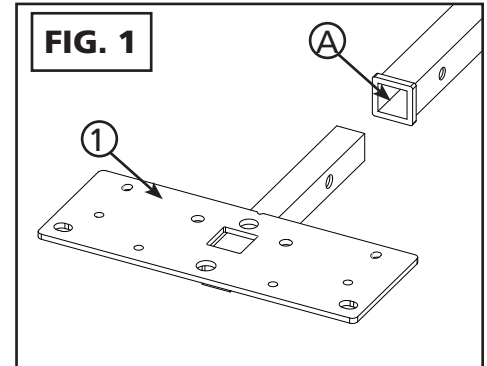
1. Place the mower on a flat level surface, such as a concrete floor.
2. Slide the 208-001 Special Hitch (1) into the receiver (A) on the back of your mower (Fig. 1).
3. Secure the hitch bar in place with the 1/2" hitch and bridge pin (Fig. 2).

That's it. Your 208-001 Special Hitch installation is complete.

To finish the assembly of your Cyclone Rake, please return to your Owner's Manual now.

Note: Check the hitch connection before each use to make sure everything is tight.

User Tip: A small amount of grease on the Cyclone Rake hitch pins will help minimize hitch bar wear over time.



208-001 Special Hitch COMPONENT LIST

KEY #	PART #	NAME	QTY
1	01-02-480	208-001 Special Hitch	1
2	01-01-063	1/2 x 4" hitch pin	1
3	01-01-203	Bridge pin	1