

Installation Instructions

The Cyclone Rake 208D Special Hitch is designed to fit multiple mower types. To install the hitch, follow the instructions below.

1. Bolt the 208D Weldment (1) to the rear of your mower using two 3/4"-10 x 2" Hex bolts (8), Bolt Lock Brackets (10), 3/4" Washers (11), and 3/4"-10 Nylon insert locknuts (9). See Fig. 1 and exploded diagram below.

Note: For Ford LGT models, you will have to drill the second 3/4" hole in the tang of your tractor to mount the weldment"

2. Bolt the Cyclone Rake 90° Hitch Bar (5) to the 208D Weldment (1) using two 1/2"-13 x 1.5" Hex bolts (6), 1/2" Washers (3), and 1/2"-13 Nylon insert locknuts (4). See exploded diagram below.

Note: The 90° Hitch Bar is packed separately in the box marked, "HITCH BAR."

3. If you intend to pull accessories such as a garden cart, attach the Tow Bracket (2) to the 208D Weldment (1) using two 1/2"-13 x 3" Hex bolts (7), 1/2" Washers (3), and 1/2"-13 Nylon insert locknuts (4).

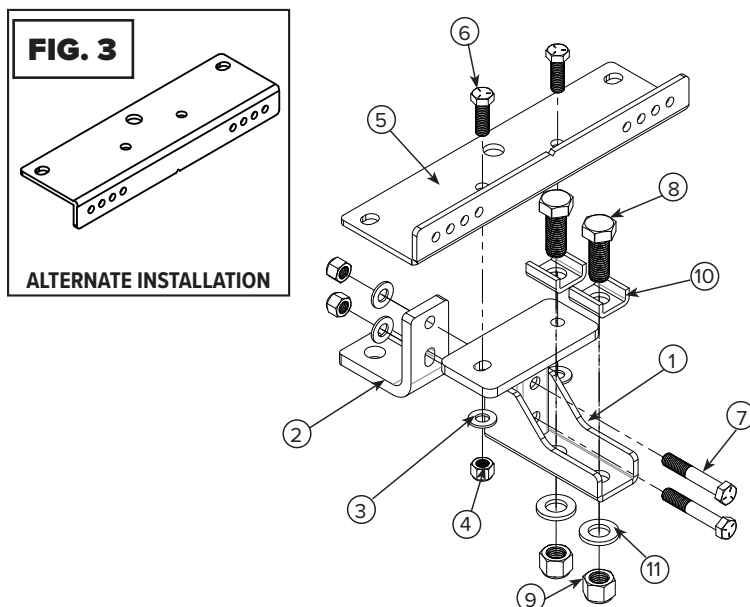
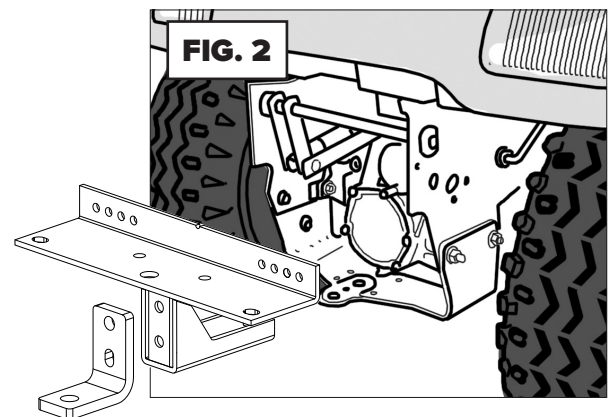
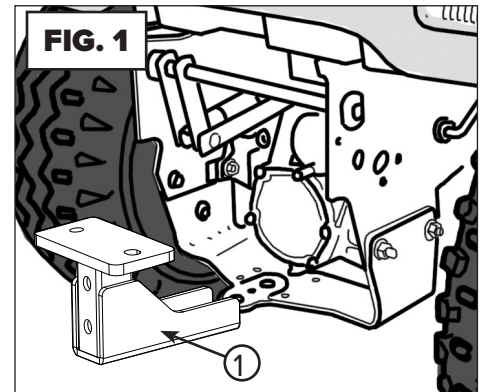
That's it. Your 208D Special Hitch installation is complete!

To finish the assembly of your Cyclone Rake, please return to your Owner's Manual now.

Note: Check the bolts before each use to make sure everything is tight.

User Tip: A small amount of grease on the Cyclone Rake hitch pins will help minimize hitch bar wear over time.

Note: On some mowers, it may be necessary to flip the 90° hitch bar upside down for clearance. (Fig. 3)



208D Special Hitch COMPONENT LIST

KEY NO.	PART NO.	NAME	QTY
1	01-02-060	208D Weldment	1
2	01-01-915	Tow Bracket	1
3	01-01-1844	1/2" Washer	4
4	01-01-823	1/2" Nylon Insert Locknut	4
5	01-01-870	90° Hitch Bar	1
6	01-01-963	1/2-13 x 1.5" Hex Bolt	2
7	01-01-964	1/2-13 x 3" Hex Bolt	2
8	01-01-317	3/4-10 x 2" Hex Bolt	2
9	01-01-1829	3/4 Nylon Insert Locknut	2
10	01-01-916	Bolt Lock Bracket	2
11	07-01-126	3/4" Washer	2